

STEADY POWER



U.S. PATENT D615506

USER'S MANUAL

CAUTION: Read manual carefully for proper procedures and operation.

vollarā®

WARNING:

1. Opening the unit without prior permission from Vollara will void its warranty coverage. Contact Vollara at 1.800.989.2299 if you have any questions.
2. Apply this unit to 240V AC, 50/60Hz, single phase load only.
3. The unit must be mounted vertically, in a dry location, using the four provided mounting clips.
4. **WARNING! THIS UNIT MUST BE INSTALLED BY A LICENSED ELECTRICIAN (IN COMPLIANCE WITH LOCAL ELECTRICAL CODES). FAILURE TO DO SO COULD RESULT IN DEATH OR SERIOUS INJURY.**
5. **IMPORTANT!** This unit must be connected directly to a dedicated circuit breaker. Do not, under any circumstances, hard-wire install without a dedicated breaker!
6. **FOR US AND CANADIAN INSTALLATIONS, Proper installation of this unit requires the dedicated breakers (two (2) single pole, 20 amp breakers required) to be installed in breaker positions 1 and 2 (upper most positions in the breaker panel). NOTE: If these positions are already in use in your breaker panel, the electrician must relocate the circuits that currently occupy these positions (positions 1 and 2) to open positions located lower in the breaker panel. FAILURE TO FOLLOW THIS INSTALLATION PROCEDURE WILL VOID YOUR WARRANTY !**
7. **FOR INTERNATIONAL INSTALLATIONS (240v, 50 HZ), Proper installation of this unit requires the dedicated breaker (one (1) single pole, 20 amp breaker required) to be installed in breaker position 1. NOTE: If this position is already in use in your breaker panel, the electrician must relocate the circuit that currently occupies this position (position 1) to an open position located lower in the breaker panel. FAILURE TO FOLLOW THIS INSTALLATION PROCEDURE WILL VOID YOUR WARRANTY !**

YOU WILL NEED:

1. Two (2) dedicated, single pole, 20 amp circuit breakers (Note: For International (240V, 50Hz) installations, only one (1) dedicated, single pole, 20 amp breaker is needed).
2. Appropriate tools including conduit.
3. A licensed electrician for installation.

MOUNTING THE STEADYPOWER FLUSHMOUNT (ECP240R)

WARNING! THIS UNIT MUST BE INSTALLED BY A LICENSED ELECTRICIAN (IN COMPLIANCE WITH LOCAL ELECTRICAL CODES). FAILURE TO DO SO COULD RESULT IN DEATH OR SERIOUS INJURY. DE-ENERGIZE POWER PANEL (WE RECOMMEND TURNING OFF THE MAIN POWER BREAKER) PRIOR TO BEGINNING THIS PROCEDURE.

NOTE: For surface mounted applications, you will need a surface mounting adapter plate. See your Vollara Independent Business Owner for more information.

1. Inspect the exterior of the unit to ensure that it has not been damaged in transit. Ensure that the front label/overlay is still intact, and that the cables protruding from the unit have not been damaged.
2. Place the back of the Flushmount Box against wall where the unit is to be installed and trace around its outside edge. Cut drywall along traced line (dimension of traced area should be approximately 4.866" wide by 8.250" high).
3. Run conduit (according to code) between the conduit connector on the box and the power panel, and feed the connection cables through the conduit into the power panel.
4. Secure the four (4) clips to the mounting box and tighten screws to tightly fit.
5. Screw Cover Plate onto unit.

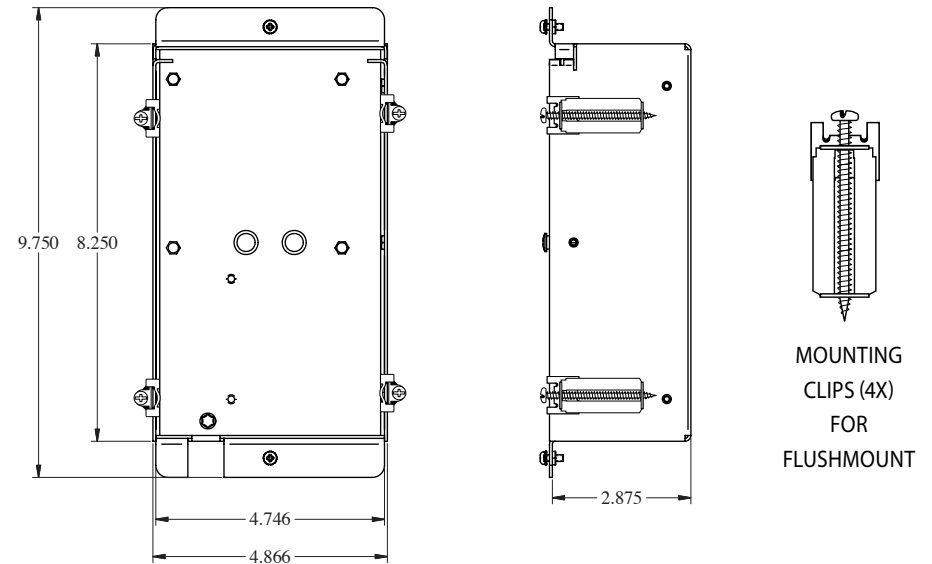
INSTALLATION PROCEDURES:

1. De-energize power panel prior to connection of the Steady Power unit (we recommend turning off the Main Power Breaker).
2. Install the two (2) single pole, 20 amp circuit breakers into circuit positions 1 and 2 (see item 6 in "Warning Section" above) of the circuit panel. Note: For International (240V, 50Hz) installations, only one (1) dedicated, single pole, 20 amp breaker is needed
3. US/Canadian Installation – Connect the RED wire (L1) to the circuit breaker located in position 1, the BLACK wire (L2) to the circuit breaker located in position 2, the GREEN with yellow stripe wire (Ground) to the ground bus, and the WHITE wire (Neutral) to the neutral bus, as shown in the diagram on page 3.
4. International (240V, 50Hz) Installation (see Note 7 in Warning section above) – Connect the BROWN wire (Line) to the circuit breaker located in position 1, the GREEN with yellow stripe wire (Ground) to the ground bus, and the BLUE wire (Neutral) to the neutral bus, as shown in the diagram on page 3.

STEADY POWER

ECP240R

DIMENSIONS FOR THE STEADYPOWER FLUSHMOUNT (ECP240R)



TEST PROCEDURES:

1. Energize the power panel.
2. Close the circuit breaker leading to the SteadyPower unit.
3. Check if Line 1 and Line 2 indicator lights are on: IF NO - De-energize the unit and check if cables are connected correctly.
NOTE: For international appliances, only 1 indicator light may be on.
Check the ground cable connections.
If problem persists, call Vollara at 1.800.989.2299.
4. Keep these instructions near the unit for future use.

RATINGS:

Voltage:

US/CA:	120/240V~, 2W+ N + PE, 60Hz, 2.7A
International:	240V~, 50Hz, 2.7A

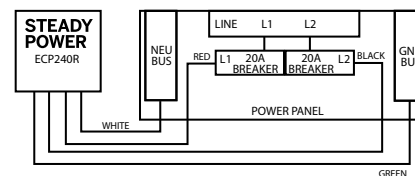
Configuration:

3-wire plus ground (US)
2-wire plus ground (International)

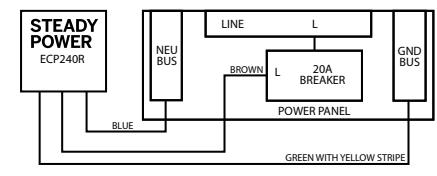
Capacitance: 30µf (US)

Line Current: 2.7 A

KVA Rating: .65 at 240V AC



US/CANADIAN INSTALLATION



INTERNATIONAL INSTALLATION

CE DECLARATION OF CONFORMITY

We, on behalf of the manufacturer:

Vollara, LLC
5420 LBJ Freeway, Suite 1010
Dallas, TX 75240
U.S.A.

Declare under our sole responsibility, that the Energy Management Device

Model: SteadyPower ECP240R

to which this declaration relates, conforms with the following standards:

EN60950-1:2006 Safety of Information Technology Equipment - General Requirements

By conformance with the standards referenced, the product meets the provisions of the EU Directives listed below:

Low Voltage Directive	73/23/EEC as amended by 98/68/EEC
RoHS Directive	2002/95/EC
WEEE Directive	2002/96/EC

Authorized by:



Representative:

Andy Eide

Title:

Vice President, Product
Development and Research

Company:

Vollara, LLC
5420 LBJ Freeway, Suite 1010
Dallas, TX 75240

Date:

1/2/2010



VOLLARA | 5420 LBJ FREEWAY, SUITE 1010 | DALLAS, TX 75240 | 800.989.2299



Part No. 65-00348